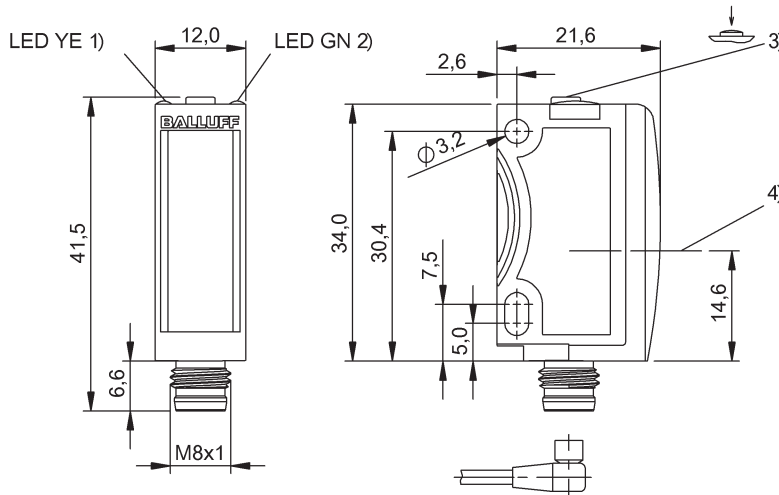


LASER CLASS 1 per IEC 60825-1:
2003-10



1) Output function 2) Power 3) Sensitiv., Light-on/Dark-on 4) Optical axis

- Photoelectric sensor
- Series 6K
- Laser red light
- up to 5 m



General attributes

Adjuster	Key (1x)
Approvals / Conformity	CE
	cULus
Basic standard	IEC 60947-5-2
Enclosure Type DIN 40050	IP69K
Enclosure Type per IEC 60529	IP67
Indicator	Power - LED GN
	Output function - LED YE
Input function	Same function as key
	Key disable on/off
	yes
Polarity reversal protected	yes
Reference reflector	BOS R-22
Series	Series 6K
Setting	Light-on/dark-on
	Sensitivity (Sn)
	Teach-in mod stand./dyn./refl.
	yes
Short circuit protected	yes

Electrical attributes

Connection type	Connector
Eff. operating current Ie	100 mA
Eff. operating voltage Ue DC	24.0 V
Electrical version	DC, direct current
No-load current max. I _o at U _e	30 mA
Operating voltage UB max. DC [V]	30.0 V
Operating voltage UB min. DC [V]	10.0 V
Ripple max. (% of U _e)	12 %
Switching freq. f max. (at U _e)	4000 Hz
Switching function	NO/NC
Switching output	PNP (1x)
Turn on time t _{on} max.	0.50 ms
Voltage drop Ud max. (at I _e)	2.4 V

Mechanical attributes

Ambient temperature Ta max.	60 °C
-----------------------------	-------

Ambient temperature Ta min.	-20 °C
Connector type	M8x1-S75
Eff. operating distance Sr	4000 mm
Housing material	ABS
Length 1	12.0 mm
Length 2	21.6 mm
Length 3	41.5 mm
Mounting type	Screw M3
Operating range R _o	0...4 m
Range Sn	Sn = 4 m, adjustable
Sensing face material	PMMA
Style	Block, 90° connection

Optical attributes

Average power P _o max.	< 390 µW (IEC 60825-1)
Laser Class per IEC 60825-1	1
Light spot size, typical	Ø2 mm at range 2.5 m
Light type	Laser red light
Optical special feature	Coaxial optics
Polarizing filter	yes
Principle of optical operation	Retro-reflective sensor
Switching function, optical	NO/NC: dark-on/light-on
Wavelength	650 nm

Additional text

Do not press key using a pointed tool.
Order accessories separately.
For additional information, refer to user's guide.
Only for NFPA 79 applications (machines with a supply voltage of maximum 600 volts).
Device shall be connected only by using any R/C (CYJV2) cord, having suitable ratings.
For use as UL listed product the Ambient temperature Ta max. may not exceed the value of 50°C.
Operating object (test target): Gray card, 200 x 200, 90 % remission, lateral approach, direction of movement vertical to plane of lens axes.
The sensor is functional again after the overload has been eliminated.

Photoelectric sensor

BOS 6K-PU-LK10-S75
BOS01M4

BALLUFF
sensors worldwide

